



SAFETY NOTICE MANDATORY ACTION REQUIRED

SUBJECT:

- SAFETY HARNESS ATTACHMENT POINTS USED AS AN ANCHORAGE POINT FOR TRANSPORT
- MANDATORY INSPECTION ON LOWER SECTION OF SIGMA RAISER PANTOGRAPH

ISSUE: CMC has been informed of the incorrect use (misuse), namely not in accordance with the user manual, of the safety harness attachments used to secure the machine to trailers and trucks for transport. **The force applied caused the basket bracket to break AND CAN LEAD TO SERIOUS INJURY OR DEATH.**

CMC IS REQUIRING ALL OWNERS/OPERATORS OF LIFT MODELS S23/75L TO IMMEDIATELY INSPECT THE BASKET BRACKET AND THE ENTIRE STRUCTURE OF THE LIFT LOOKING FOR DAMAGES.


Picture 1

Picture 2
ISSUE

CMC has been notified of cases of safety harness attachments points used to secure the machine to trailers and trucks for transport purposes.(*picture 1 and picture 2*)

- The improper use of the safety belts anchorage points to secure the machine during transport has caused the breakage of the basket bracket (*picture 1 and picture 2*) and can lead to serious injury or death.

**NOTICE: THIS SAFETY BULLETIN SUPERSEDES ALL PREVIOUS CMC SAFETY BULLETIN AND/OR EMAILS
RELEASED BY CMC FOR THE ISSUE AT HAND.
DATE OF ISSUE MAY 2ND, 2023**

**SAFETY NOTICE
MANDATORY ACTION REQUIRED****WARNING**

- IMMEDIATELY STOP USE THE SAFETY HARNESS ANCHORAGE (*picture 2 and 3*) TO SECURE THE MACHINE FOR TRANSPORT PURPOSES.
- OWNERS AND USERS MUST IMMEDIATELY INSPECT DEEPLY THE SAFETY HARNESS ANCHORAGE POINT AND THE ENTIRE STRUCTURE OF THE LIFT.
- THE IMPROPER USE OF THE SAFETY BELTS ANCHORAGE POINTS TO SECURE THE MACHINE DURING TRANSPORT HAS CAUSED THE BASKET BRACKET TO BREAK AND CAN LEAD TO SERIOUS INJURY OR DEATH.
- ALWAYS READ AND FOLLOW ALL INSTRUCTIONS IN THE SERVICE AND MAINTENANCE MANUAL AND THE OWNER'S MANUAL.

*Picture 3*

**SAFETY NOTICE
MANDATORY ACTION REQUIRED**

ACTION: The owner must inspect their equipment and check for any possible damage to the basket bracket and on the entire lift structure as per Picture 1, 2, 3 and 4.

*Picture 4***WARNING**

If the inspection reveals any damage to the basket bracket as specified in picture 1, 2 and 3 or any other spot on the lift structure, the owner **MUST** stop any use of the lift immediately and contact a Dealer or CMC directly.

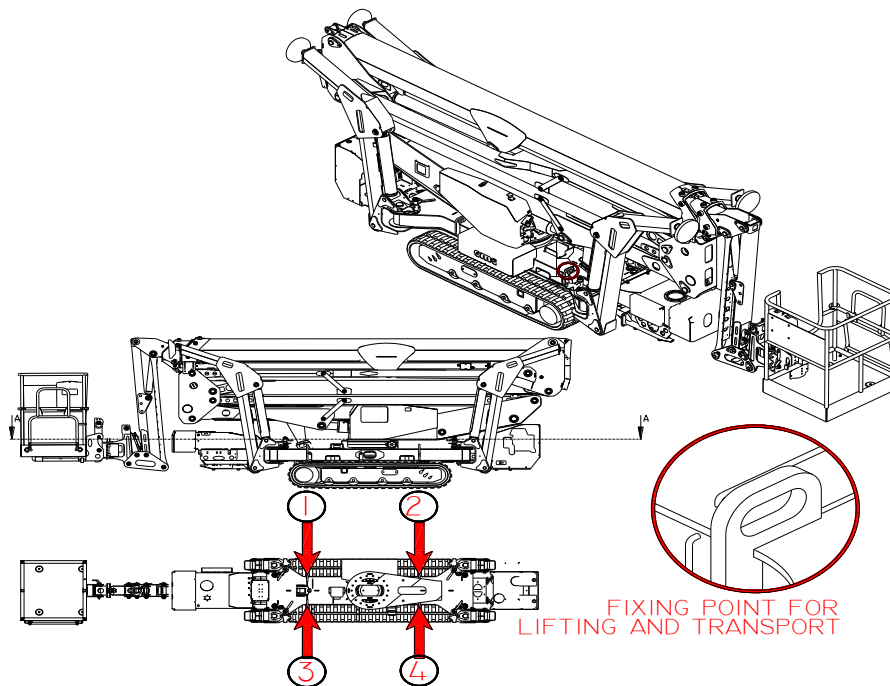
As a reminder, the machine's Owner's Manual requires daily inspection of the machine and to perform periodically the maintenance, according with the working hours and the general conditions of the machine.



SAFETY NOTICE MANDATORY ACTION REQUIRED

Additional reminder to owners and users: the user manual includes all fixing point for transport and these are the only point to be used during this operation.

Correct fixing points for transport are showed in Sample 1.



Sample 1



SAFETY NOTICE MANDATORY ACTION REQUIRED

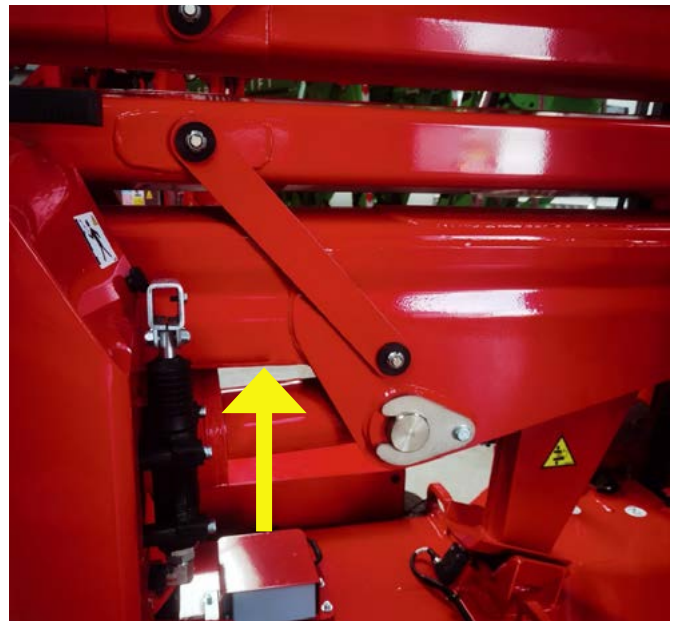
MANDATORY INSPECTION ON LOWER SECTION OF SIGMA RAISER PANTOGRAPH

ISSUE: CMC has been notified of cases of damages on the lower section of the sigma raiser pantograph of S23/75L that can lead to serious injury or death.

ALL OWNERS/OPERATORS OF LIFT MODELS S23/75L MUST INSPECT IMMEDIATELY THE LOWER SECTION OF THE SIGMA RAISER PANTOGRAPH IN THE SPOT INDICATED IN SAMPLE 2 ,3 and 4 AND THE ENTIRE STRUCTURE OF THE LIFT LOOKING FOR DAMAGES.



Sample 2



Sample 3



Sample 4

**NOTICE: THIS SAFETY BULLETIN SUPERSEDES ALL PREVIOUS CMC SAFETY BULLETIN AND/OR EMAILS
RELEASED BY CMC FOR THE ISSUE AT HAND.
DATE OF ISSUE MAY 2ND, 2023**

**SAFETY BULLETIN 2023001****SAFETY NOTICE
MANDATORY ACTION REQUIRED**

ACTION: The owner must inspect their equipment and check for any possible damage to the sigma raiser pantograph and to the entire lift structure as per sample 2, 3 and 4. For ease access owners and users are required to raise the pantograph and inspect the underside of the pantograph.

**WARNING**

- OWNERS AND USERS MUST IMMEDIATELY INSPECT THE LOWER SECTION OF THE SIGMA RAISER PANTOGRAPH AND THE ENTIRE STRUCTURE OF THE LIFT LOOKING FOR DAMAGES IN THE SPOT INDICATED IN SAMPLE 2, 3 and 4.
- USERS AND OWNERS MUST IMMEDIATELY INSPECT THE SPOTS AS INDICATED IN SAMPLE 2, SAMPLE 3 AND SAMPLE 4.
- IF THERE IS ANY CRACK OR ANOMALY OR IMPERFECTION THE USER OR THE OWNER MUST STOP USING IMMEDIATELY THE MACHINE AND CONTACT CMC.
- ALWAYS READ AND FOLLOW ALL INSTRUCTIONS IN THE SERVICE AND MAINTENANCE MANUAL AND THE OWNER'S MANUAL.

If you require additional copies of this bulletin or have any question, please contact CMC Utilities at **+390805326606** or at **servicecmc@cmclift.com**